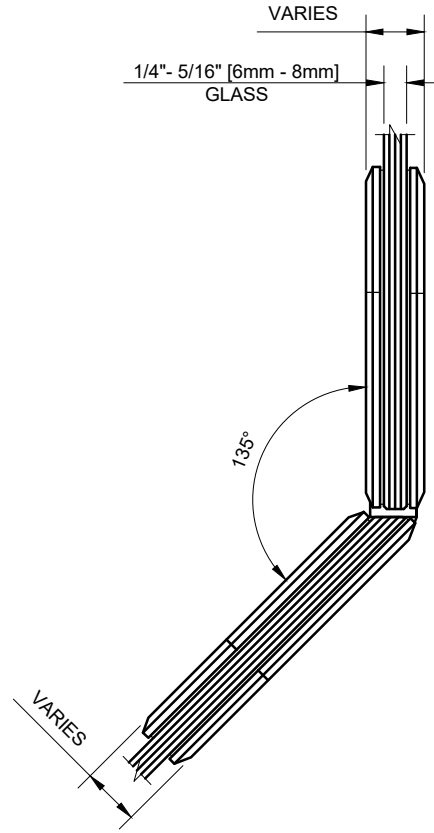
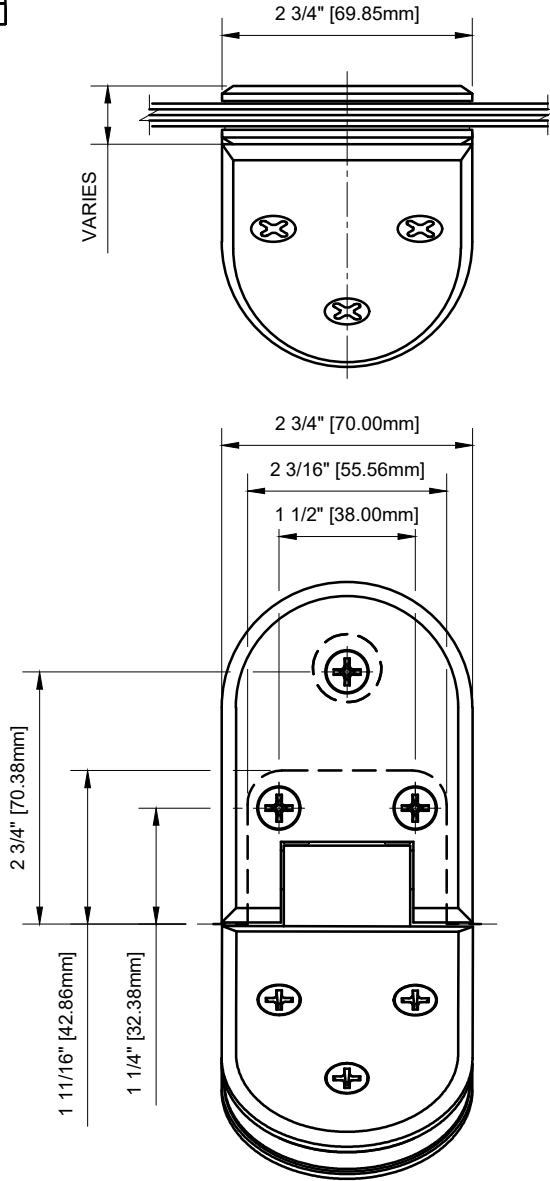


USE OF GASKETS

FOR 1/4" (6mm) GLASS: USE ONE THICK GASKET ON EACH SIDE
 FOR 5/16" (8mm) GLASS: USE ONE THIN GASKET ON EACH SIDE



CATALOG NUMBER	FINISH
BER135CH	CHROME
BER135BN	BRUSHED NICKEL
BER135GP	GOLD PLATED
BER135SC	SATIN CHROME
BER135W	WHITE W/ CHROME

BER135XX - CRL BERLIN SERIES 135° GLASS TO GLASS HINGE

DATE: 1/9/19
 SCALE: 6"=1'-0"
 DRAWN BY: VM

DESCRIPTION: CRL BER135
 BERLIN SERIES
 135 DEGREE GLASS TO GLASS HINGE

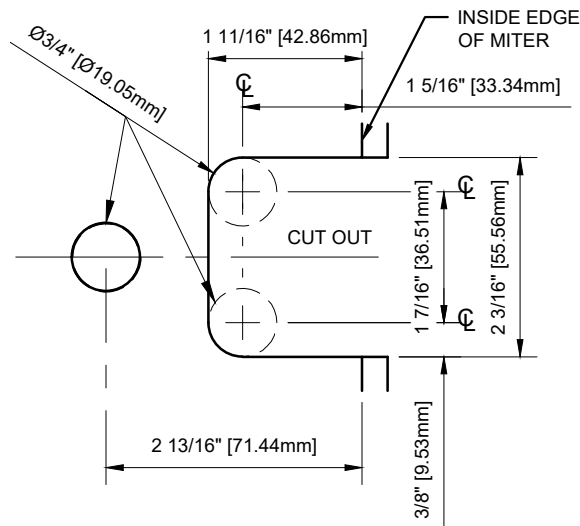
C.R. LAURENCE CO. ARCHITECTURAL PRODUCTS
 2503 E. Vernon Avenue, Los Angeles, C.A 90058-1897
 PH (800)-421-6144 FX: 800-587-7301 www.crlaurence.com



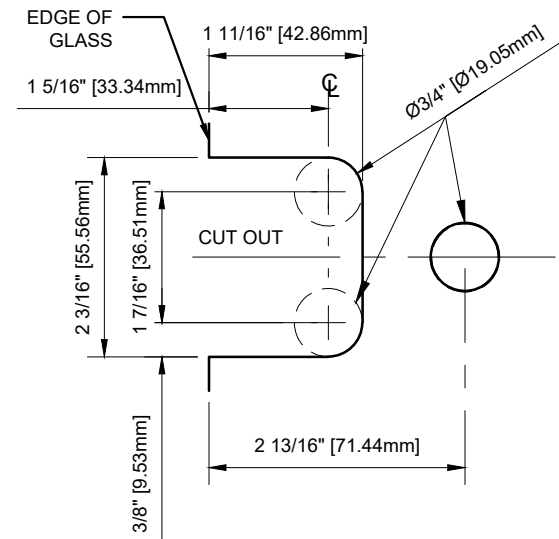
USE OF GASKETS

FOR 1/4" (6mm) GLASS: USE ONE THICK GASKET ON EACH SIDE

FOR 5/16" (8mm) GLASS: USE ONE THIN GASKET ON EACH SIDE



45° MITERED FIXED PANEL



DOOR TEMPLATE

CATALOG NUMBER	FINISH
BER135CH	CHROME
BER135BN	BRUSHED NICKEL
BER135SC	SATIN CHROME
BER135W	WHITE W/ CHROME

BER135XX - CRL BERLIN SERIES 135° GLASS TO GLASS HINGE TEMPLATES

DATE: 1/9/19
 SCALE: 6"=1'-0"
 DRAWN BY: VM

DESCRIPTION: CRL BER135
 BERLIN SERIES
 135 DEGREE GLASS TO GLASS HINGE

C.R. LAURENCE CO. ARCHITECTURAL PRODUCTS
 2503 E. Vernon Avenue, Los Angeles, C.A 90058-1897
 PH (800)-421-6144 FX: 800-587-7301 www.crlaurence.com

